



STEALTH® Hydraulic Torque Wrench

The STEALTH is the industry's most advanced low-clearance tool. The slim design fits where other tools will not and the dual piston powerhead provides unparalleled speed and power. Also compatible with the HYTORC Washer and HYTORC Nut, the STEALTH can conquer bolting applications from general maintenance to critical pathways.

HANDS-FREE OPERATION



For the highest level of safety on industrial bolting jobs, HYTORC recommends hands-free operation. The STEALTH Lock-On adapter allows for hands-free usage with or without the HYTORC Washer.

DUAL-PISTON POWER



The patented design of the STEALTH's dual pistons provides more speed than any other limited clearance tool in the market.

SLIM DESIGN

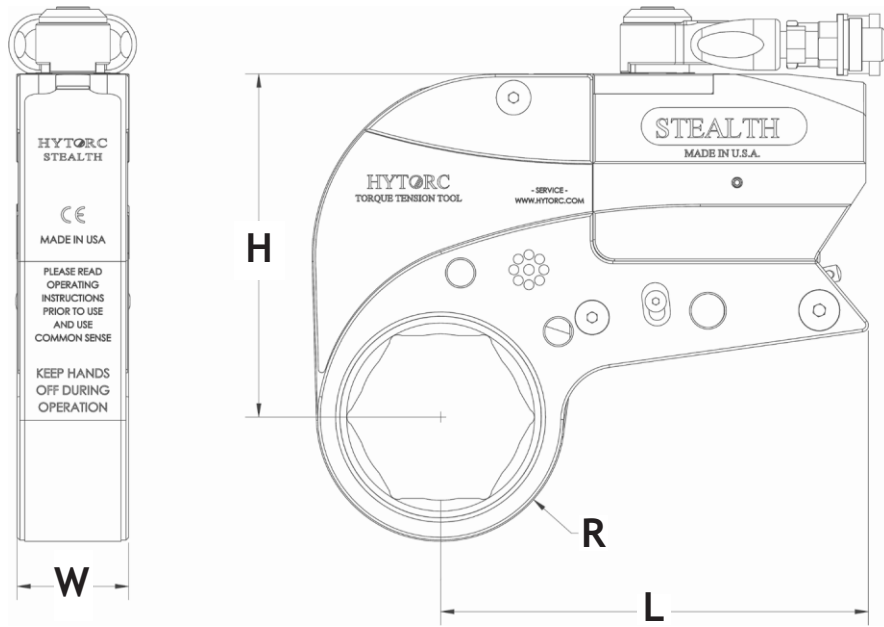


The STEALTH was the first industrial bolting system in the market to feature a continuous slim body design that fits in even the tightest of confines.



**TOOL
SOLUTIONS**

Hidráulico - Eléctrico - Neumático



LEGEND: H = HEIGHT W = WIDTH L = LENGTH R = RADIUS

MODEL NUMBER	H	W	L	R		WEIGHT	TORQUE	
IMPERIAL		in.		in. (Min)	in. (Max)	lbs.	ft-lbs (Min)	ft-lbs (Max)
STEALTH - 2	4.21	1.25	5.53	1.03	1.76	3.99	278	1,869
STEALTH - 4	5.43	1.66	6.56	1.33	2.32	4.30	604	4,020
STEALTH - 8	6.40	2.18	8.00	1.77	2.89	6.70	1,199	7,984
STEALTH - 14	7.94	2.50	9.35	2.32	3.47	10.40	2,105	14,255
STEALTH - 22	9.18	2.91	10.80	2.62	3.87	15.40	3,250	21,875
STEALTH - 36	10.81	3.41	12.71	3.07	4.80	24.10	4,917	34,722
METRIC		mm		mm (Min)	mm (Max)	kg	Nm (Min)	Nm (Max)
STEALTH - 2	107	32	140	26	45	1.81	377	2533
STEALTH - 4	107	32	140	26	59	1.81	818	5447
STEALTH - 8	138	42	167	34	73	1.95	1625	10818
STEALTH - 14	163	55	203	45	88	3.05	2852	19316
STEALTH - 22	202	64	237	59	98	4.73	4404	29641
STEALTH - 36	233	74	274	67	122	7.00	6663	47049

The World's Most Trusted Industrial Bolting Systems



TOOLS SOLUTIONS
Hidráulico - Eléctrico - Neumático

Address:
PH Ofidepositos Tocumen, Bodega
#10 Via Panamericana, Mañanitas.
Ciudad de Panamá, Panamá

Phone:
507 382-8015

Email:
info@toolsolutionscorp.com

Online:
toolsolutionscorp.com