



EDGE S™ Hydraulic Torque Wrench

For general maintenance that requires high torque values and repeatable results, the EDGE S is HYTORC's workhorse. The straightforward three-moving-part design was created by HYTORC over 30 years ago and has been consistently improved upon, resulting in the most tried and tested line of hydraulic torque wrenches in the world

SIMPLE OPERATION AND MULTI-AXIS SWIVEL



The three-moving part design of the EDGE S reduces the number of potential repairs and keeps operating costs to a minimum. The multi-axis swivel allows for maximum positioning, flexibility, and safety of the hoses.

REMOVABLE SQUARE DRIVE



For quick and simple directional changes, the EDGE S splined square drive can be removed and installed on the opposite side with no tools. Hex Drives and other Direct Drives are also available with the EDGE S tool

SAFETY HANDLE

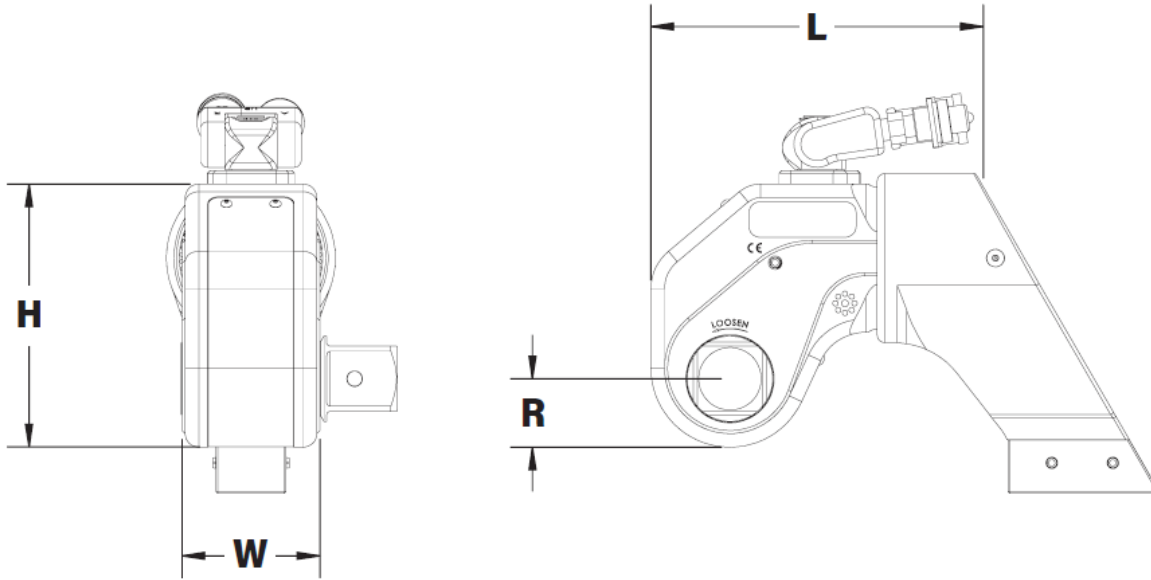


Keep your hands safe by using the included safety handle. Simple installation and able to be positioned in almost any angle. The safety handle can be installed on either the Tighten or Loosen side



**TOOL
SOLUTIONS**

Hidráulico - Eléctrico - Neumático



EGEND: H HEIGHT W WIDT L LENGT R RADIUS

MODEL NUMBER	H	W	L	R	SQUARE DRIVE	WEIGHT	TORQUE	
IMPERIAL	in.					lbs.	ft-lbs (Min)	ft-lbs (Max)
DGE-1S	3.53	1.97	4.94	.97	3/4	4.0	17	1,257
DGE-3S	4.7	2.63	.4	1.3		.5	443	3,097
DGE-6S	.04	3.1	7.6	1.57	1-1/2	19.2	893	6,24
DGE-9S	.5	3.57	.5	1.86	1-1/2	20.0	1,230	8,555
DGE-11S	7.07	3.9	9.6	1.96	1-1/2	25.0	1,615	11,29
DGE-30S	10.1	.64	13.7	2.7	2-1/2	4.7	4,448	29,650
METRIC	mm				in.	kg	Nm (Min)	Nm (Max)
DGE-1S	9		12	2	3/4	1.84	24	1703
DGE-3S	12	7	163	33		3.86	0	4172
DGE-6S	153	8	193	4	1-1/2	8.73	121	457
DGE-9S	167	9	22	7	1-1/2	.1	1667	11592
DGE-11S	18	10	244		1-1/2	11.36	218	1529
DGE-30S	257	143	34	7	2-1/2	29.4	027	40194

The World's Most Trusted Industrial Bolting Systems



**TOOL
SOLUTIONS**

Hidráulico - Eléctrico - Neumático

Address:

PH Ofidepositos Tocumen, Bodega
#10 Via Panamericana, Mañanitas.
Ciudad de Panamá, Panamá

Phone:

507 382-8015

Email:

info@toolsolutionscorp.com

Online:

toolsolutionscorp.com